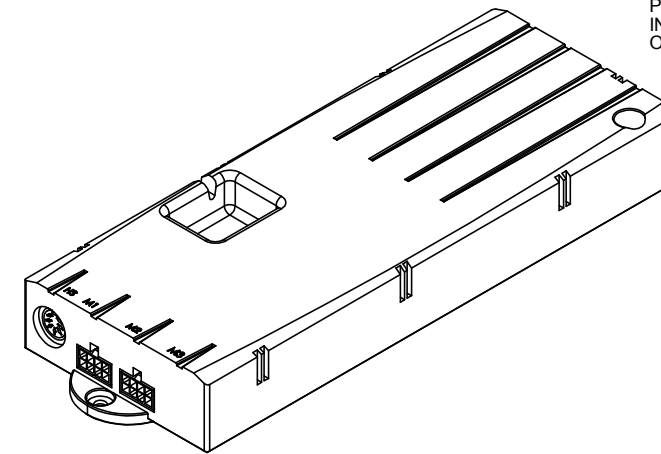
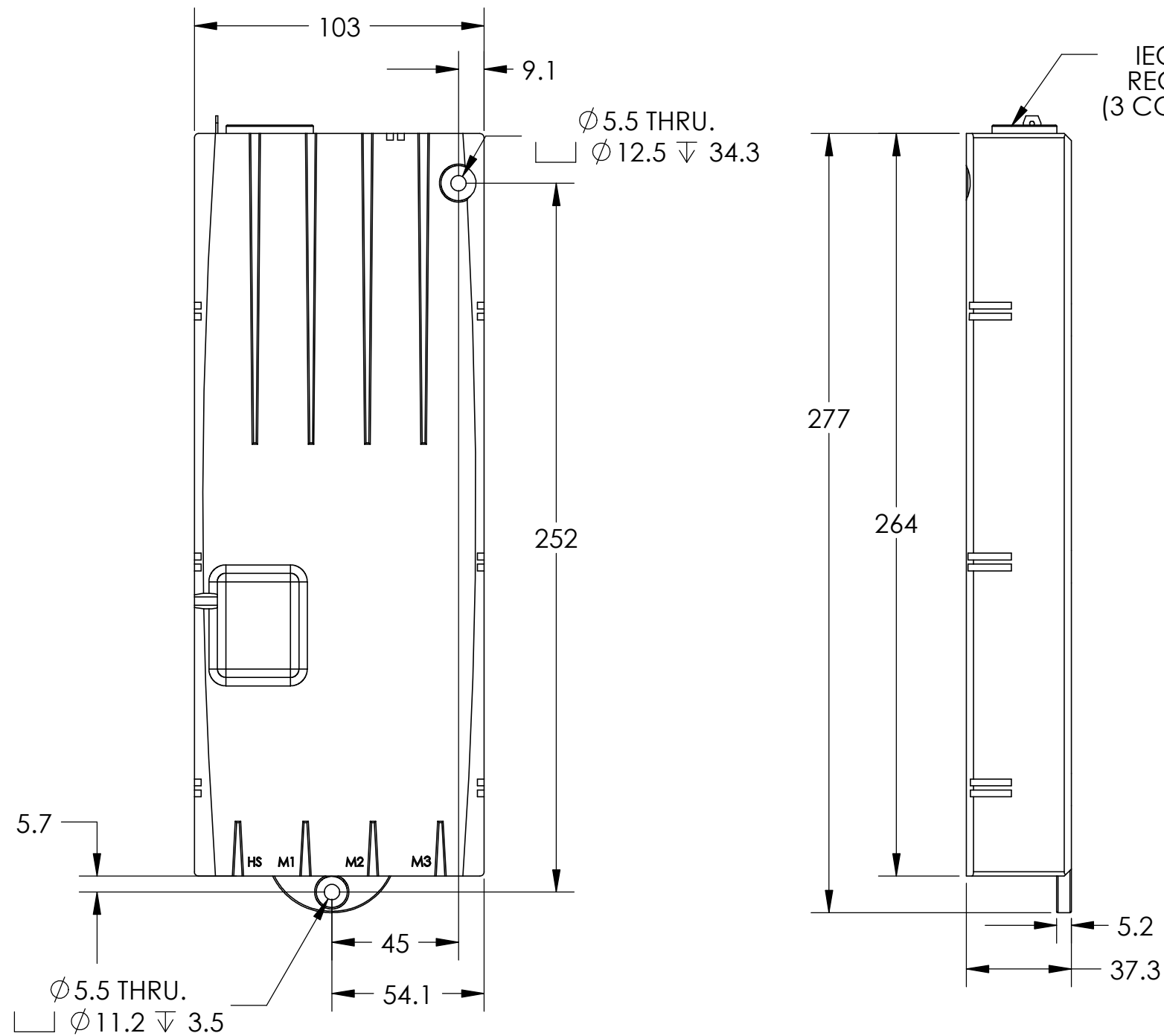


THE INFORMATION CONTAINED IN THIS DRAWING IS THE SOLE PROPERTY OF SUSPA INCORPORATED. ANY REPRODUCTION IN PART OR AS A WHOLE WITHOUT THE WRITTEN PERMISSION OF SUSPA INCORPORATED IS PROHIBITED.

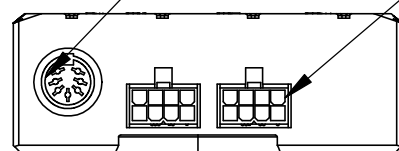


ISOMETRIC VIEW  
SCALE 1:3

NOTES:

- 1.) ALL DIMENSIONS ARE REFERENCE ONLY.
- 2.) ELECTRICAL CHARACTERISTICS:
  - INPUT VOLTAGE/FREQUENCY: 207-255VAC, 50Hz.
  - CONTROL VOLTAGE/CURRENT: 27VDC/9A.
  - SWITCH VOLTAGE/CURRENT: 5VDC/150mA.
- 3.) DUTY CYCLE: 10% (1 minute ON, 9 minutes OFF).  
MAX. CYCLE TIME 2 MINUTES BEFORE DUTY CYCLE ENFORCEMENT PERIOD.
- 4.) OPERATING TEMPERATURE: 0-30° C.
- 5.) STORAGE TEMPERATURE: -40-85° C.
- 6.) PROTECTION CLASS: I.
- 7.) POWER CORD (3 METERS LONG) INCLUDED WITH MOTOR CONTROL.  
CORD CONTAINS SCHUKO-STYLE PLUG.
- 8.) WEIGHT: 0.5 kg.

7 PIN DIN RECEPTACLE  
(SWITCH CONNECTION)



8 PIN MOLEX RECEPTACLE  
(2X AS SHOWN) -  
(M1, M2 CONNECTION)

**DO NOT MANUFACTURE TO THIS DRAWING  
UNLESS IT IS MARKED "CONTROLLED"**

DO NOT SCALE THIS DRAWING  
DIMENSIONS ARE IN MILLIMETERS  
TOLERANCES UNLESS OTHERWISE SPECIFIED

ONE PLACE DECIMAL +/-0.2 ANGULAR +/-2°  
TWO PLACE DECIMAL +/-0.1

DRAWN BY AJB	DATE 03/30/11	SCALE 1:2	THIRD ANGLE PROJECTION
-----------------	------------------	--------------	------------------------

CUSTOMER DRAWING

REV	ECN	DESCRIPTION	CHANGED BY	APPROVED BY	DATE (MM/DD/YY)
		RELEASED	AJB		05/17/11
EURO 230V COM/E CONTROLLER					
MATERIAL N/A					
DRAWING NUMBER S45-0029					
3970 Roger B. Chaffee S.E. Grand Rapids, Michigan 49548-3497 www.suspa-inc.com					DRAWING SIZE B