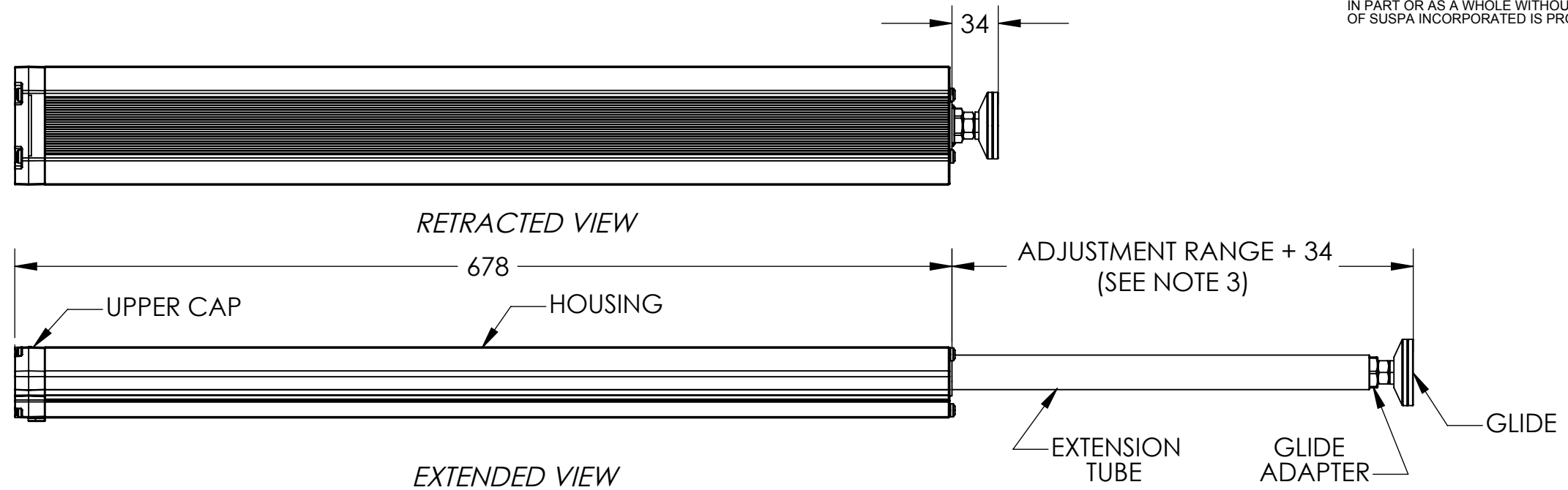
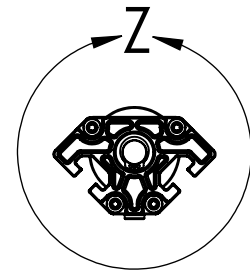


THE INFORMATION CONTAINED IN THIS DRAWING IS THE SOLE PROPERTY OF SUSPA INCORPORATED. ANY REPRODUCTION IN PART OR AS A WHOLE WITHOUT THE WRITTEN PERMISSION OF SUSPA INCORPORATED IS PROHIBITED.



NOTES:

- 1.) ALL DIMENSIONS ARE REFERENCE ONLY.
- 2.) CORNER LEG CYLINDER IS DESIGNED FOR CONNECTION TO ALUMINUM STRUCTURAL PROFILE SYSTEM COMPONENTS.
- 3.) CORNER LEG IS OFFERED IN 150mm, 200mm, 300mm, AND 400mm ADJUSTMENT RANGES.
- 4.) MATERIAL SPECIFICATIONS:

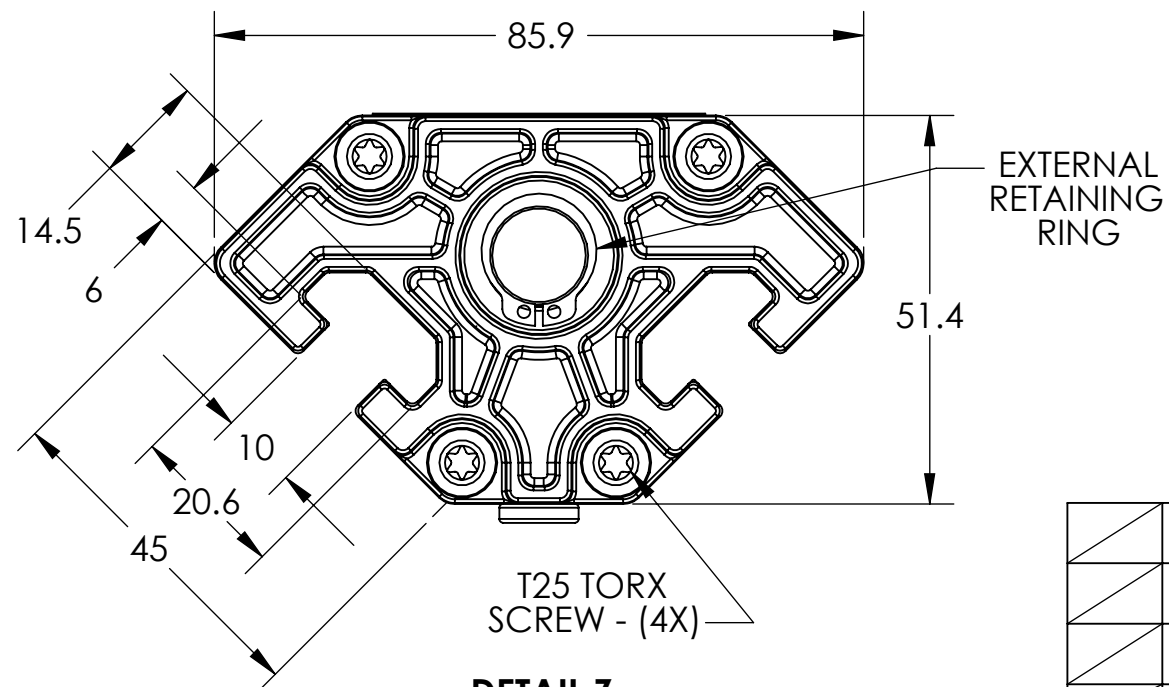
UPPER CAP: ZINC/ALUMINUM DIECAST.

HOUSING: TEMPERED ALUMINUM WITH CLEAR ANODIZED FINISH.

EXTENSION TUBE: STAINLESS STEEL.

GLIDE ADAPTER: STEEL WITH ZINC PLATED FINISH.

GLIDE: THREADED STEEL STUD WITH ZINC PLATED FINISH, BLACK NYLON BASE, AND BLACK TPE NON-SKID PAD.



**DETAIL Z
SCALE 1 : 1**

DO NOT MANUFACTURE TO THIS DRAWING UNLESS IT IS MARKED "CONTROLLED"

DO NOT SCALE THIS DRAWING
DIMENSIONS ARE IN MILLIMETERS
TOLERANCES UNLESS OTHERWISE SPECIFIED

ONE PLACE DECIMAL	+/-0.2	ANGULAR	+/-2°
TWO PLACE DECIMAL	+/-0.1		

DRAWN BY	DATE	SCALE	
JED	12/08/04	1:4	THIRD ANGLE PROJECTION

CUSTOMER DRAWING

REV	ECN	REVISIONS	CHANGED BY	APPROVED BY	DATE (MM/DD/YR)
				JED	12/08/04
DESCRIPTION					
CORNER LEG CYLINDER					
MATERIAL					
N/A					
DRAWING NUMBER					
S40-0003					
3970 Roger B. Chaffee S.E. Grand Rapids, Michigan 49548-3497 www.suspa-inc.com					DRAWING SIZE
					B